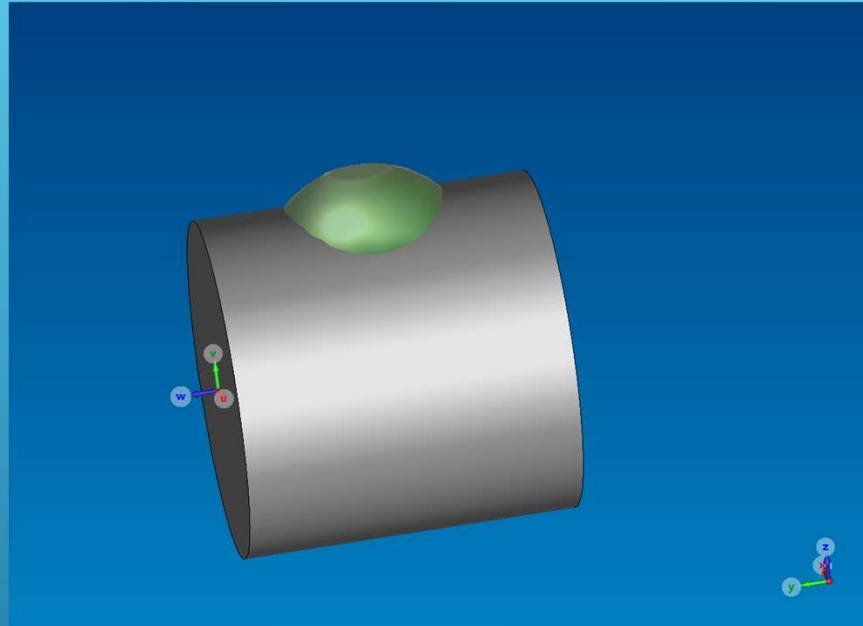


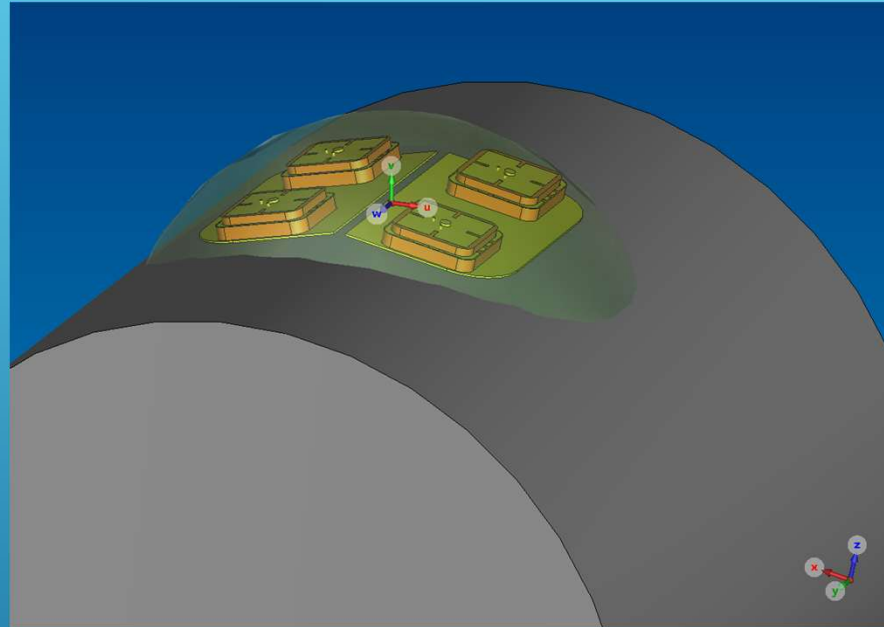


CRPA OPTIONS

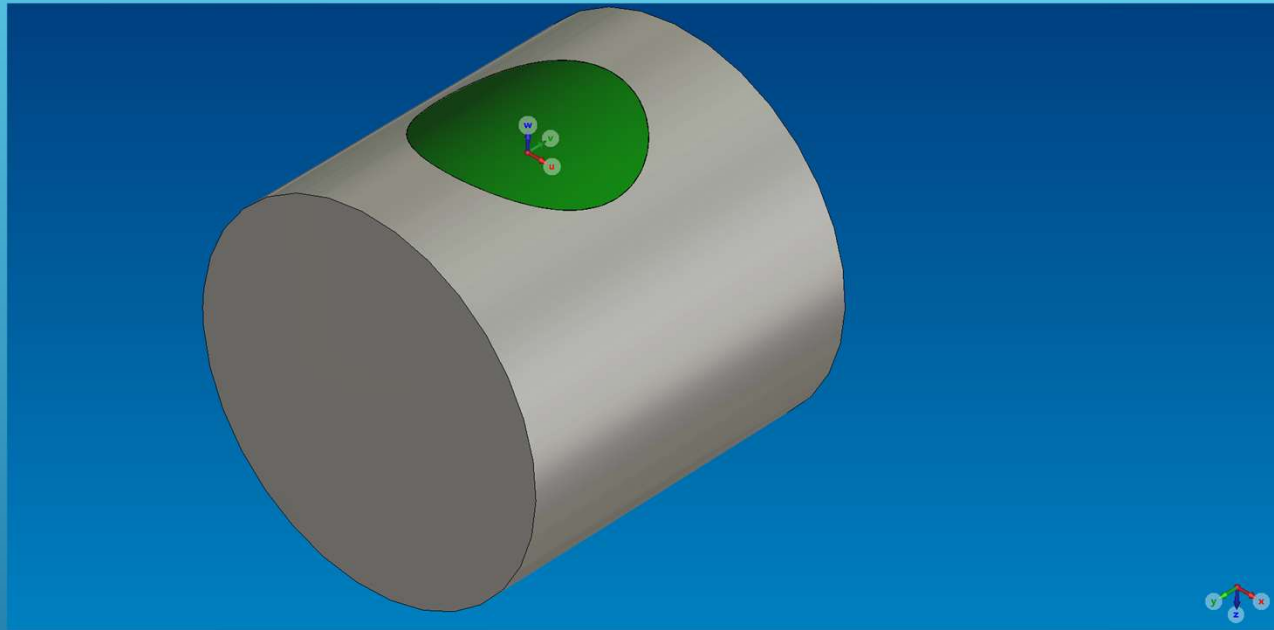
MCV Microwave East Inc.
Atlanta RFtech LLC
May 12, 2026



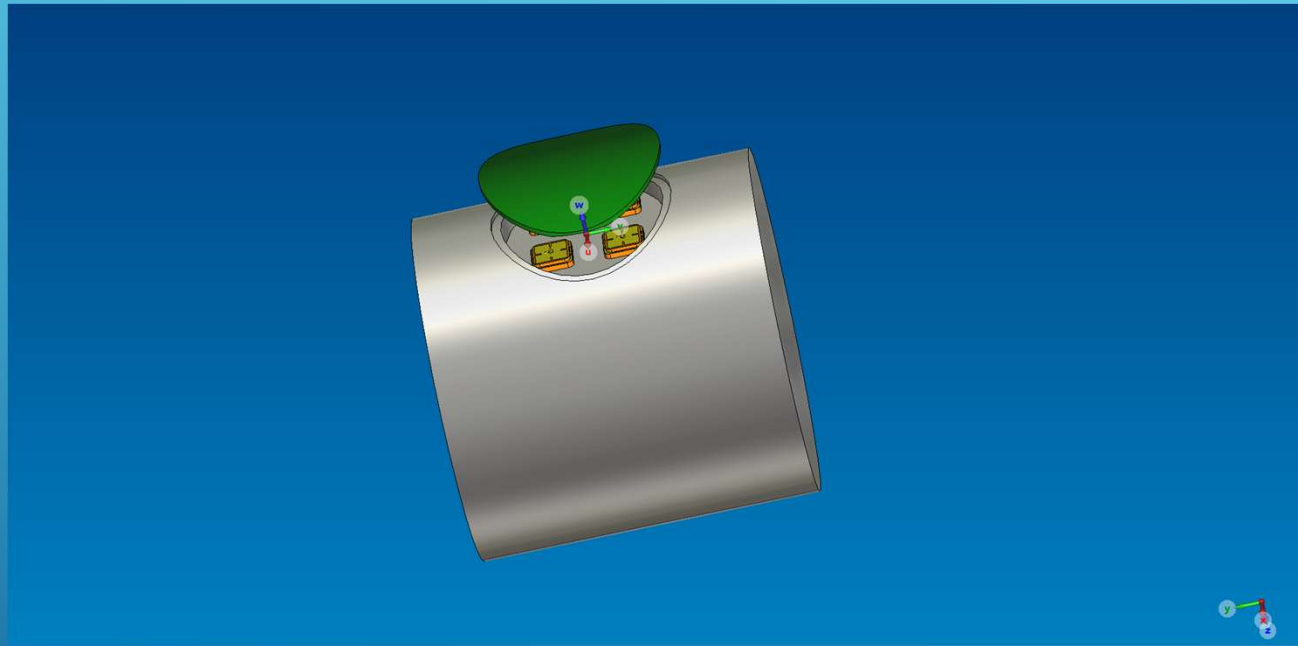
818A PATCH “CONFORMAL” MOUNT CONFIGURATION



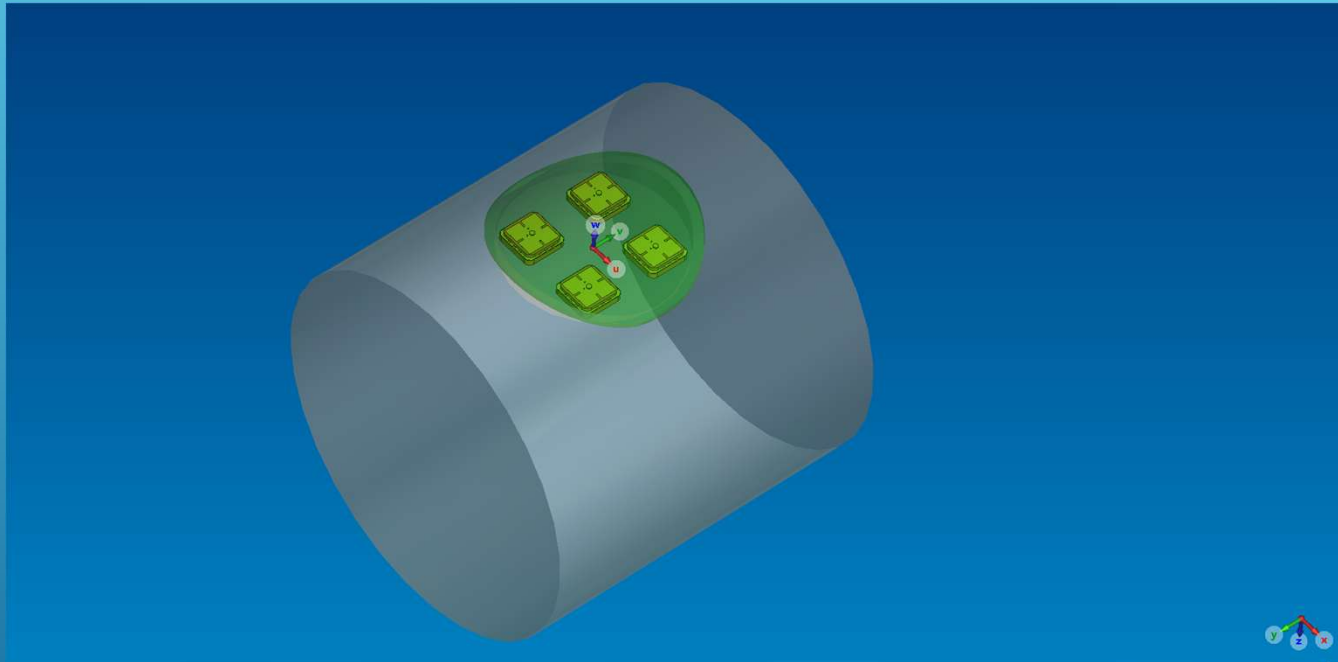
DOMED RADOME, SPLIT PCB "CONFORMAL" MOUNT



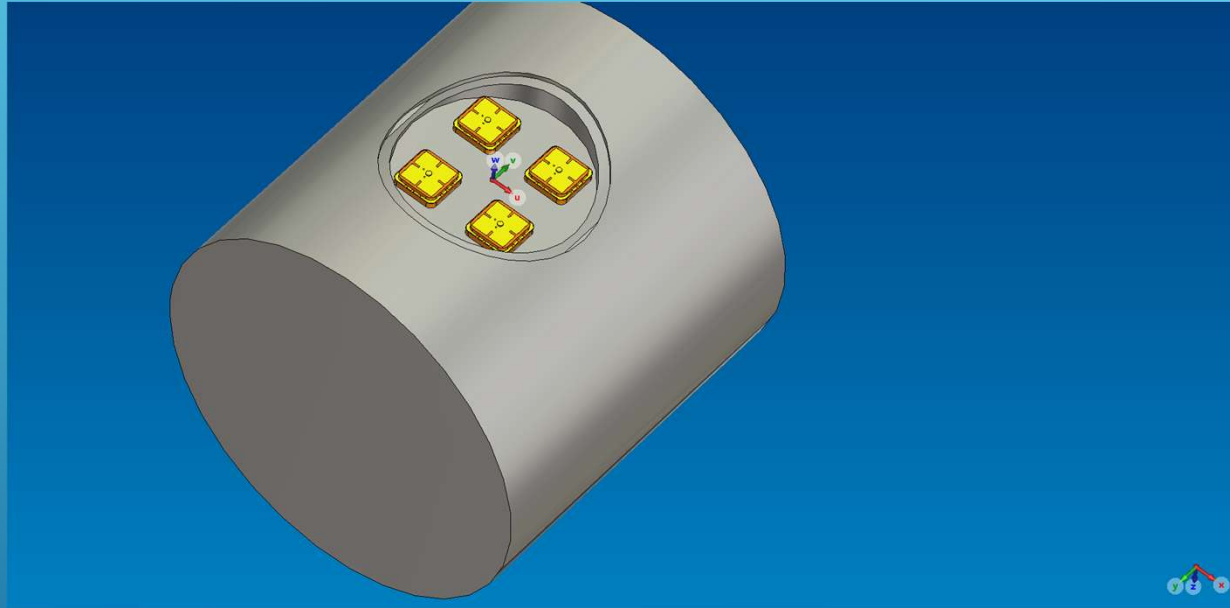
RECESSED CONFIGURATION: CONFORMAL RADOME



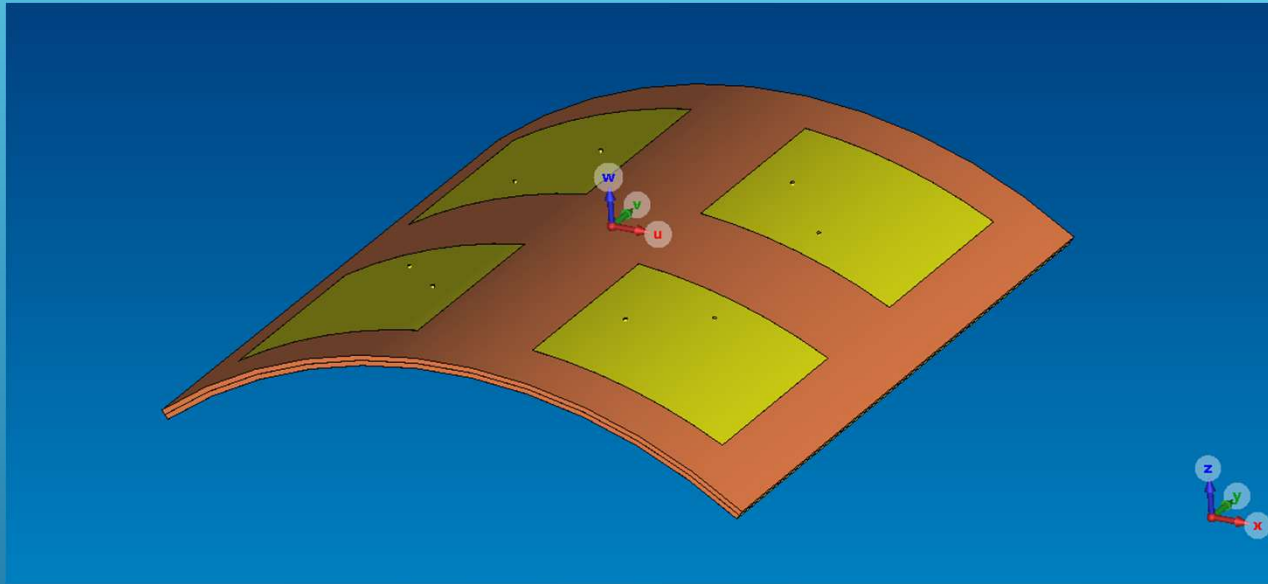
RECESSED: PATCHES MOUNTED ON A PCB



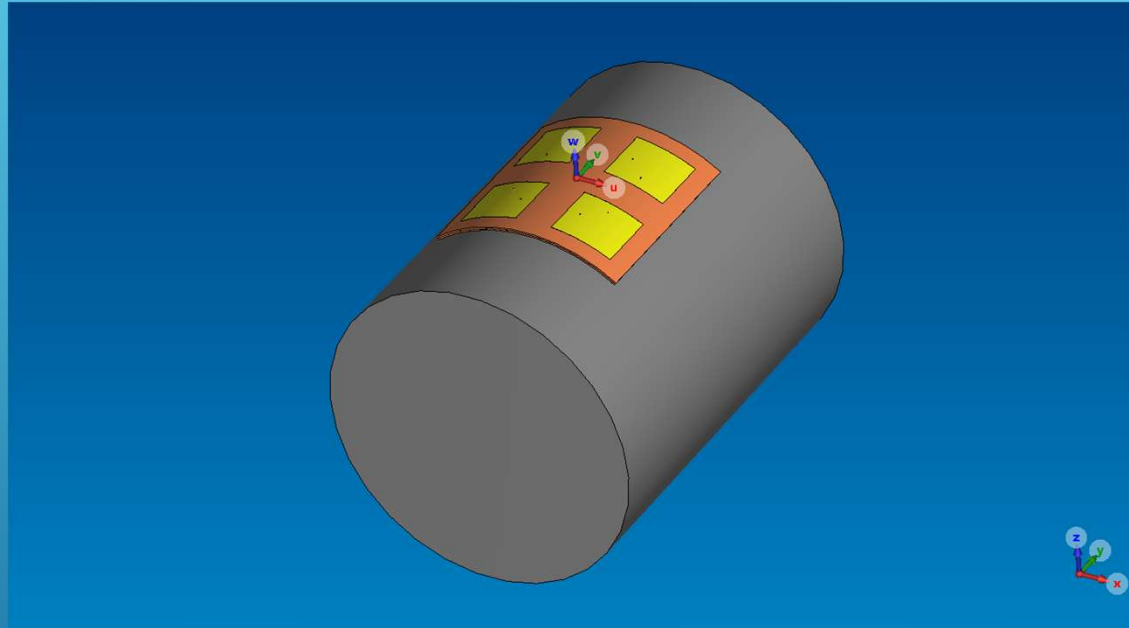
RECESSED: "SEE THROUGH"



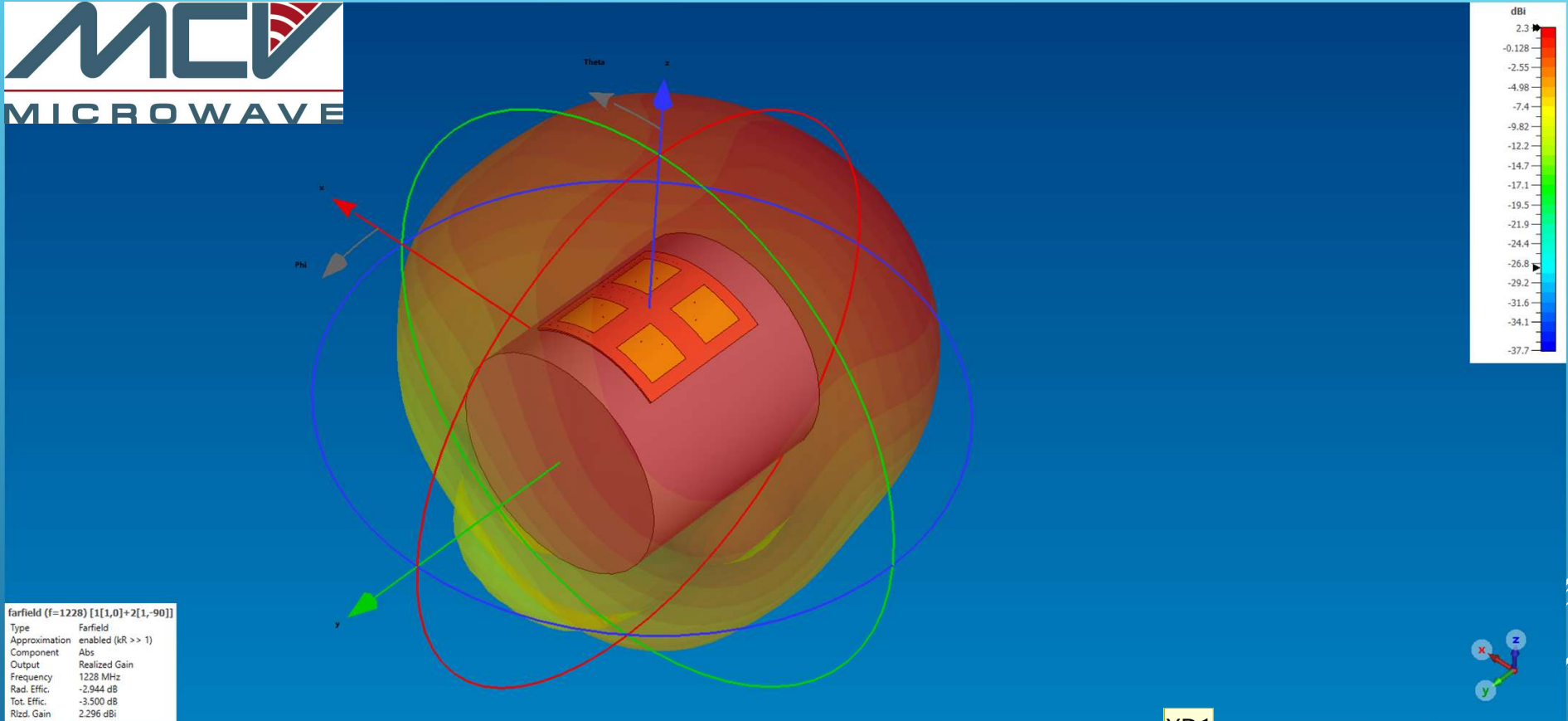
RECESSED: INSIDE THE POCKET



TRUE CONFORMAL ARRAY: 1/8"
THICKNESS, SOFT MATERIAL



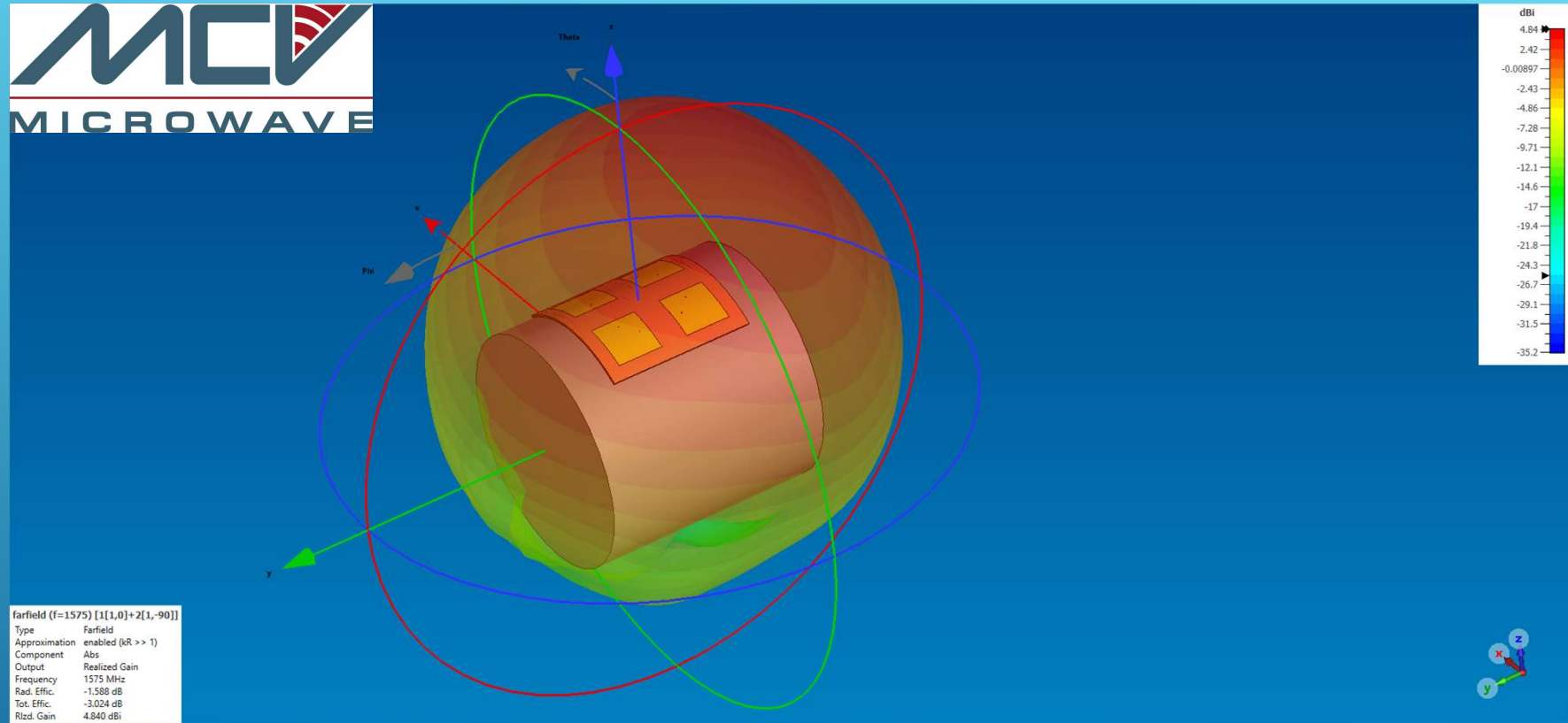
TRUE CONFORMAL ARRAY: ON 12"
CYLINDER, $\frac{1}{2}$ WAVELENGTH SEPARATION



farfield (f=1228) [1[1,0]+2[1,-90]]	
Type	Farfield
Approximation	enabled (kR >> 1)
Component	Abs
Output	Realized Gain
Frequency	1228 MHz
Rad. Effic.	-2.944 dB
Tot. Effic.	-3.500 dB
Rzld. Gain	2.296 dBi

XD1

ONE ELEMENT PATTERN: 1228MHZ



ONE ELEMENT PATTERN: 1575MHZ



LEAD-TIME

- RFQ0507261- Conformal vs Recessed CRPA
- Design and Layout, Drafting: 4 weeks
- Prototype Fab: 6~8 weeks
- Mechanical Design: Customer and MCV Collaboration